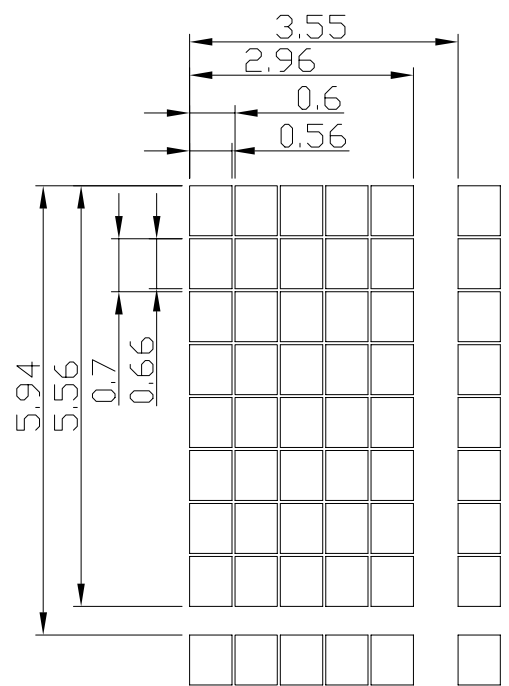
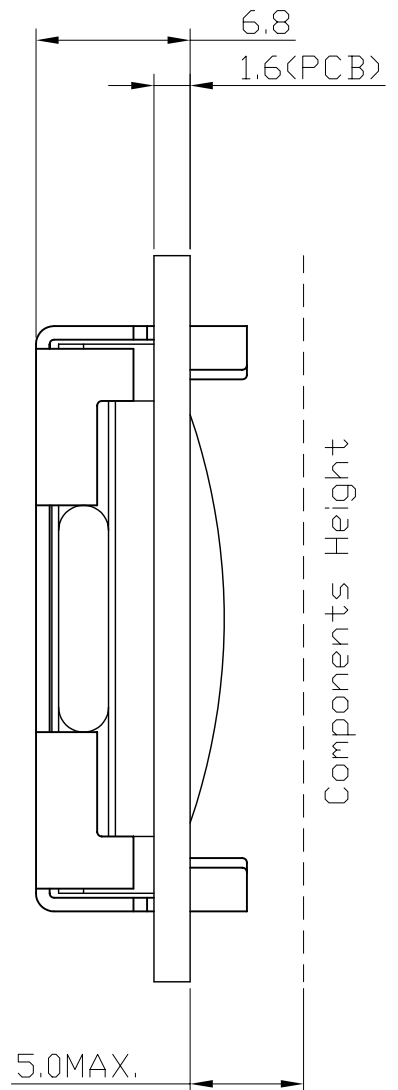
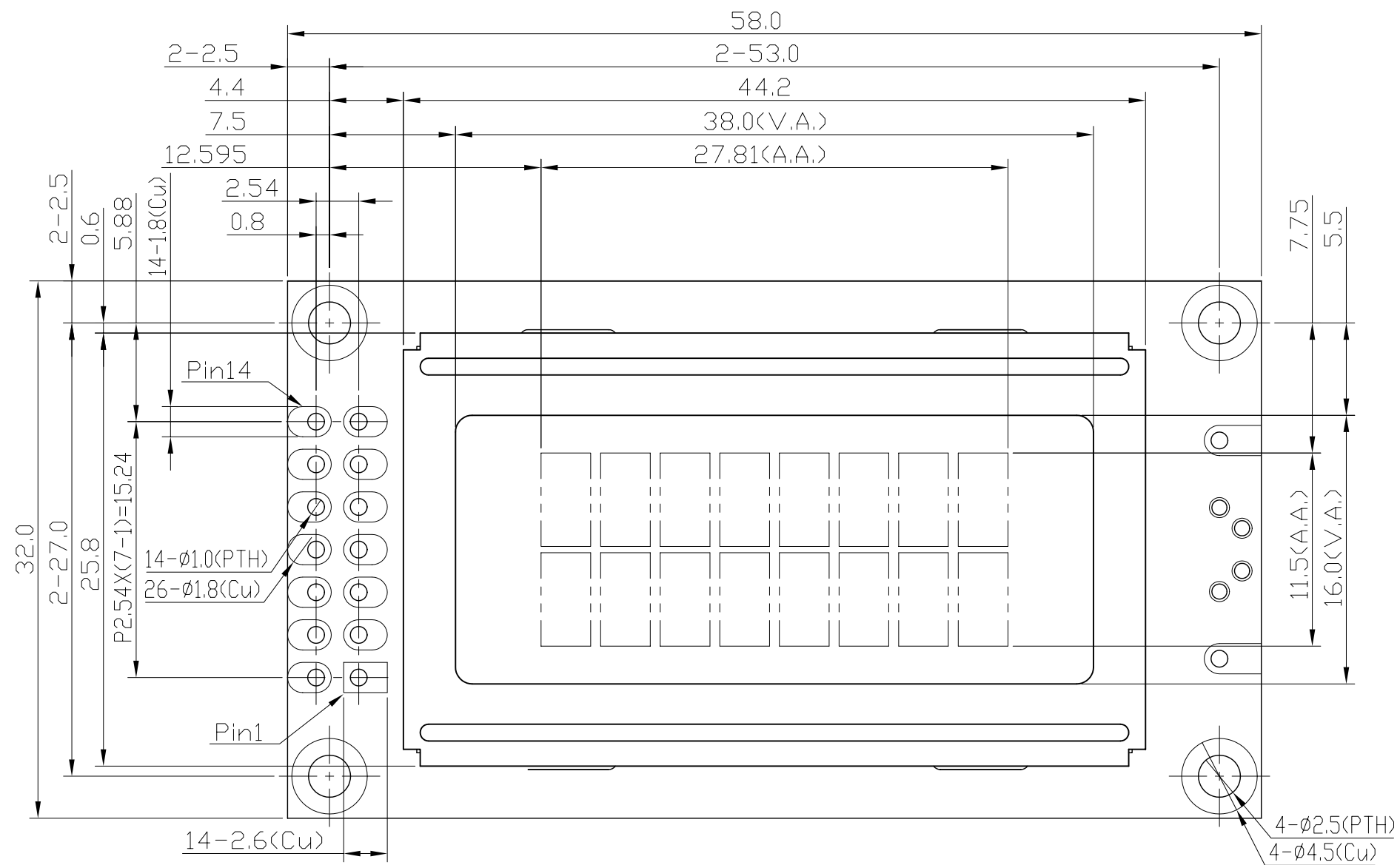
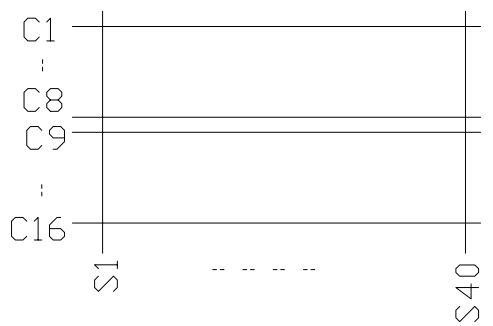


Terminal	
No.	Pin Name
1	VSS
2	VDD
3	V0
4	RS
5	R/W
6	E
7	DB0
8	DB1
9	DB2
10	DB3
11	DB4
12	DB5
13	DB6
14	DB7



Pixels Details
Scale=10/1



Panel Wiring Details
Scale=free

Note:
 *1. LCD Display Type : STN-Gray, Positive, Reflective
 *2. Viewing Direction : 6H
 *3. Operating Temperature : -20°C~70°C
 *4. Storage Temperature : -30°C~80°C

C				
B				
A				
Rev	Note	Date		
Dwg Title		LMB0820CDA Outline Dwg		
Dwg No.	MK-000603-1-1	Date 2004-08-30		
Scale	3/1	Tol.	±0.5	Unit mm Paper Size A3
Approved		Checked		Drawn Li Shuai

TOPWAY