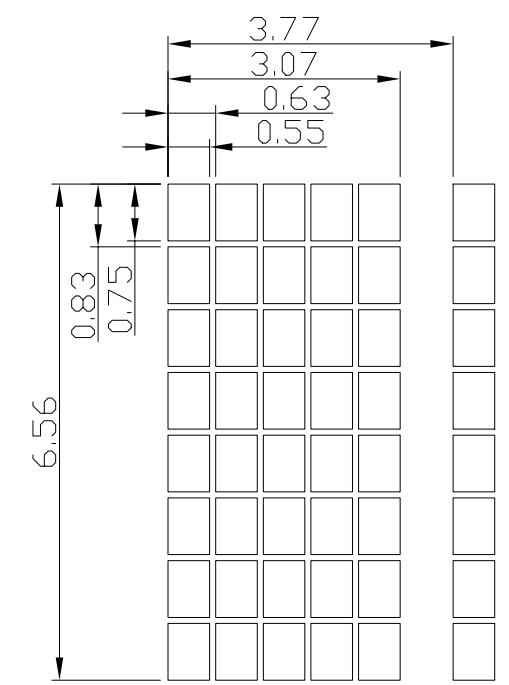
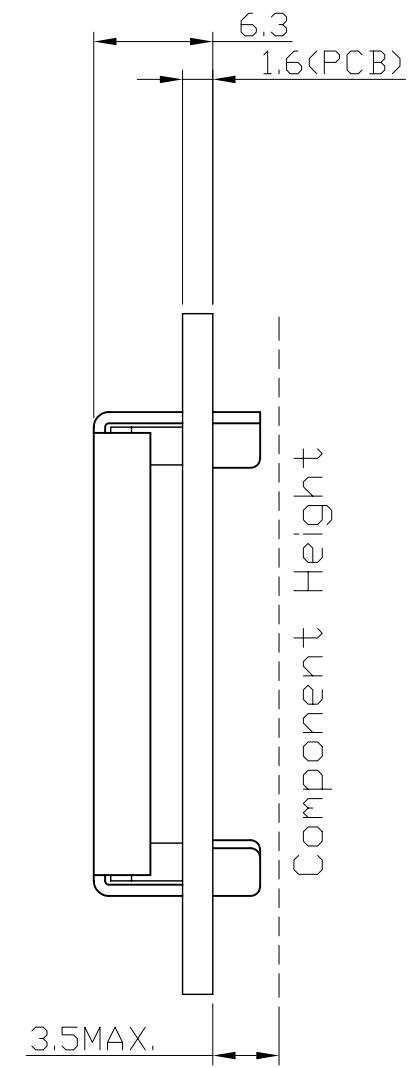
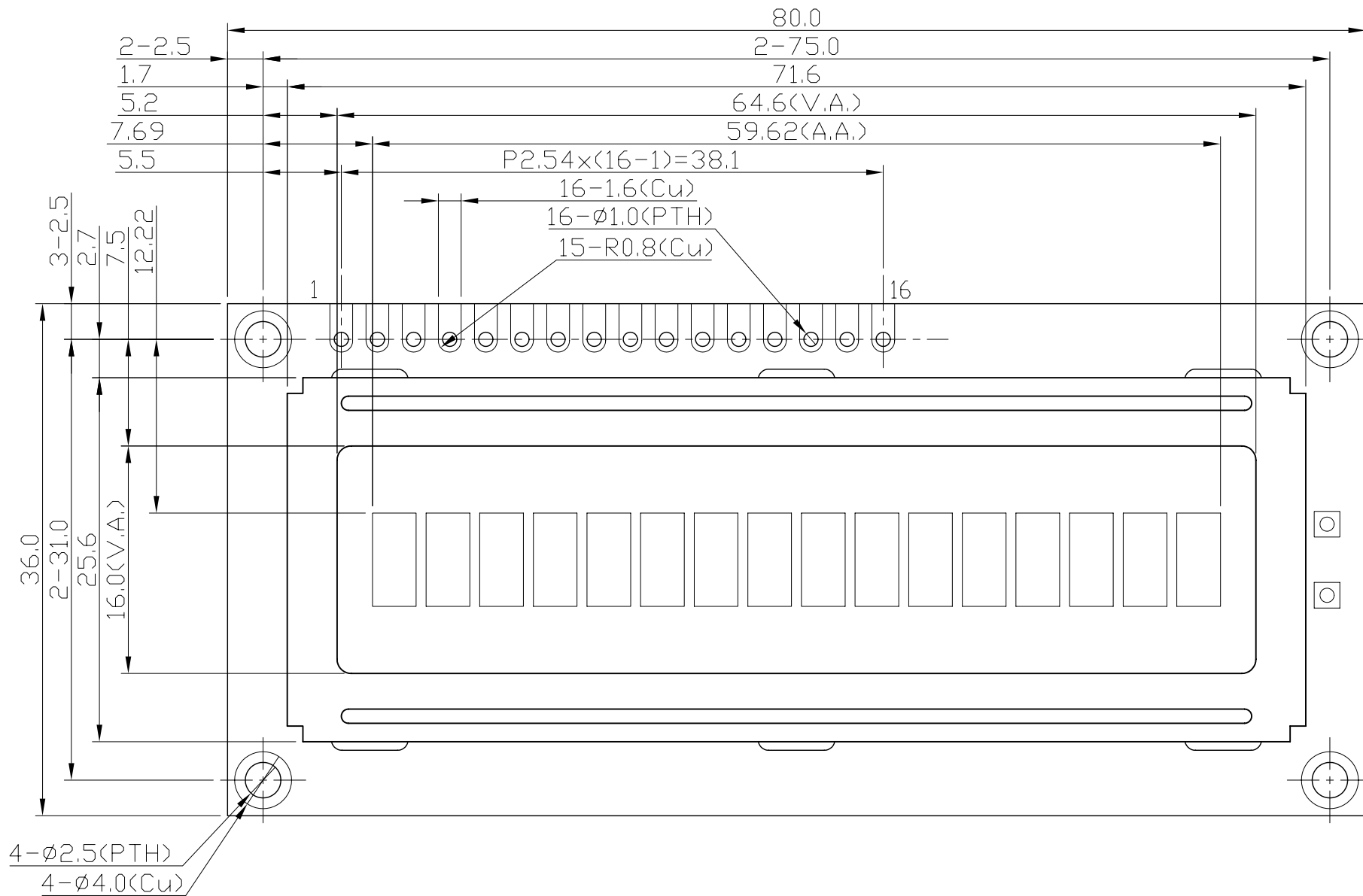
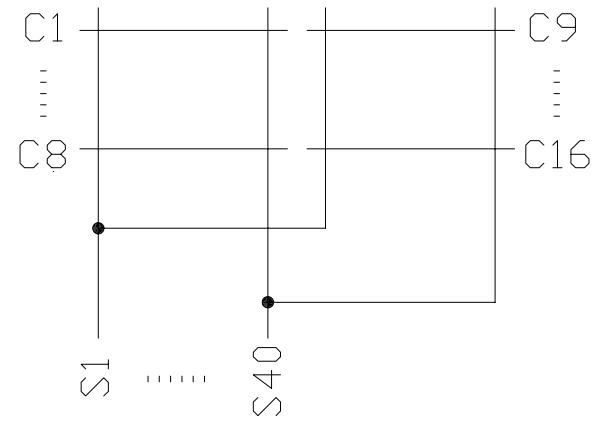


Terminal	
No.	Pin Name
1	VSS
2	VDD
3	V0
4	RS
5	R/W
6	E
7	DB0
8	DB1
9	DB2
10	DB3
11	DB4
12	DB5
13	DB6
14	DB7
15	NC
16	NC



Pixels Details  
Scale=10/1



Panel Wiring Details  
Scale=free

- Note:
- \*1. LCD Display Type : TN, Positive, Reflective
  - \*2. Viewing Direction : 12H
  - \*3. Operating Voltage : 5.0V
  - \*4. Operating Temperature : -20°C~70°C
  - \*5. Storage Temperature : -30°C~80°C

C		
B		
A		
Rev	Note	Date
Dwg Title LMB161AAA Outline Dwg		
Dwg No.	MK-000972-1-1	Date 2005-06-08
Scale 5/2	Tol. ±0.5	Unit mm Paper Size A3
Approved	Checked	Drawn Li Shuai

**TOPWAY**