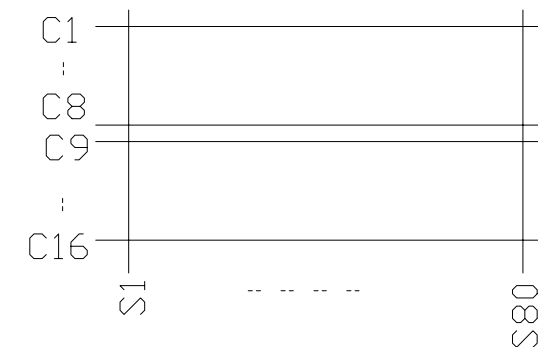
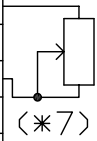
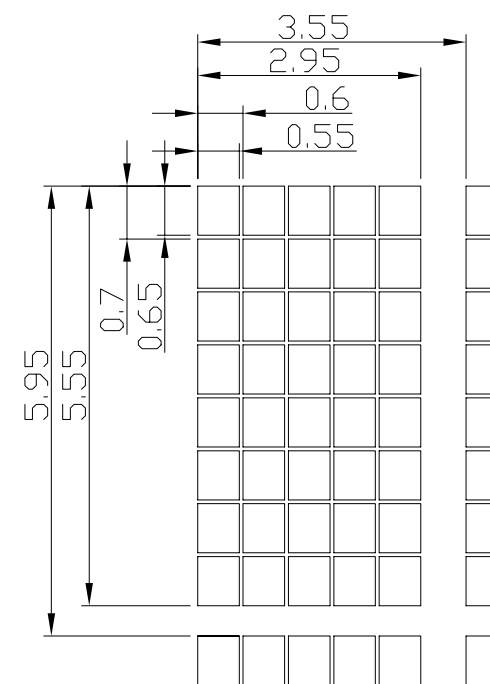


Terminal	
No.	Pin Name
1	VSS
2	VDD
3	V0
4	RS
5	R/W
6	E
7	DB0
8	DB1
9	DB2
10	DB3
11	DB4
12	DB5
13	DB6
14	DB7
15	NC
16	NC



Panel Wiring Details  
Scale=free



Pixels Details  
Scale=10/1

Note:

- \*1. LCD Display Type : STN-YG, Positive, Transflective
- \*2. Viewing Direction : 6H
- \*3. Duty : 1/16 ,Bais : 1/5
- \*4. Operating Voltage : 5.0V
- \*5. Operating Temperature : -20°C~70°C
- \*6. Storage Temperature : -30°C~80°C
- \*7. An external VR(5k) must be connected for Contrast Control.

C		
B		
A		
Rev	Note	Date
Dwg Title LMB162ABA Outline Dwg		
Dwg No.	MK-001311-1-1	Date 2006-06-16
Scale 5/2	Tol. ±0.5	Unit mm Paper Size A3
Approved	Checked	Drawn Kenny

**TOPWAY**