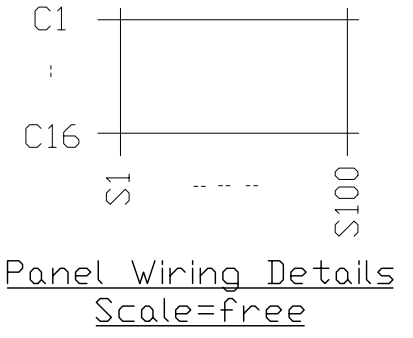
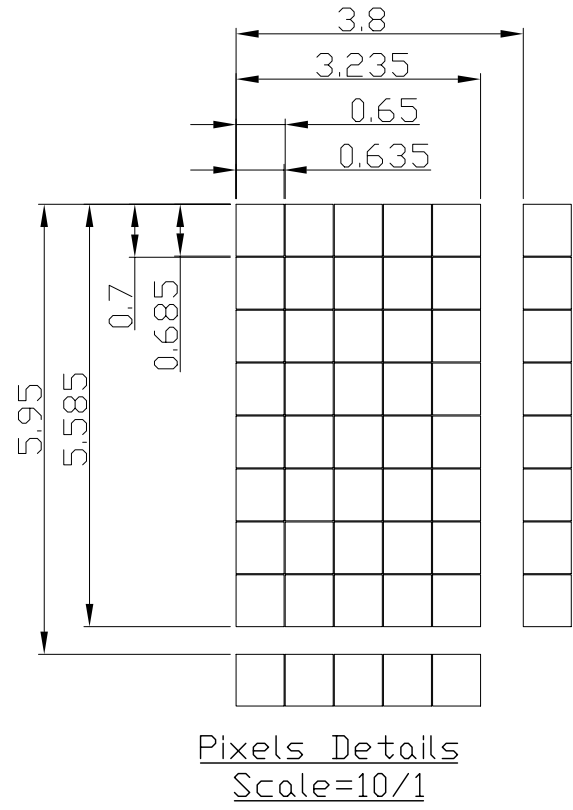
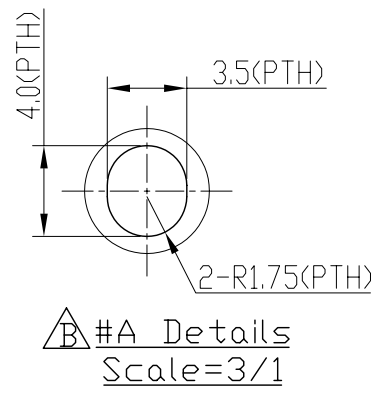
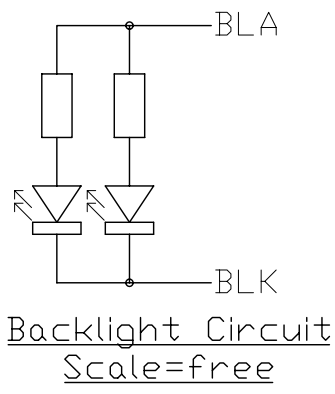
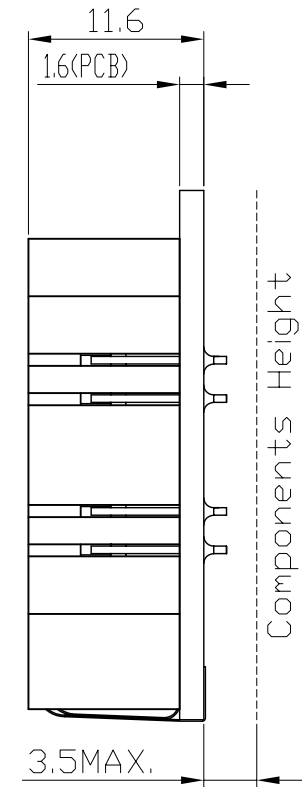


Terminal	
No.	Pin Name
1	BLA
2	BLK
3	VSS
4	VDD
5	V0
6	RS
7	R/W
8	E
9	DB0
10	DB1
11	DB2
12	DB3
13	DB4
14	DB5
15	DB6
16	DB7



- Note:
- \*1. LCD Display Type : FSTN, Positive, Transflevtive
  - \*2. Viewing Direction : 6H
  - \*3. LCD Driving Duty : 1/16duty
  - \*4. Backlight Color : White
  - \*5. Operating Temperature : -20°C~70°C
  - \*6. Storage Temperature : -30°C~80°C

C		
B	-Revise Hole Shape	Li Shuai 2005-03-10
A	-Revise Dwg Title	Li Shuai 2004-11-30
Rev/Note		Date
Dwg Title	LMB202ECC Outline Dwg	
Dwg No.	MK-000635b-1-1	Date 2004-09-28
Scale	Tol. ±0.5	Unit mm Paper Size A3
Approved	Checked	Drawn Li Shuai

**TOPWAY**