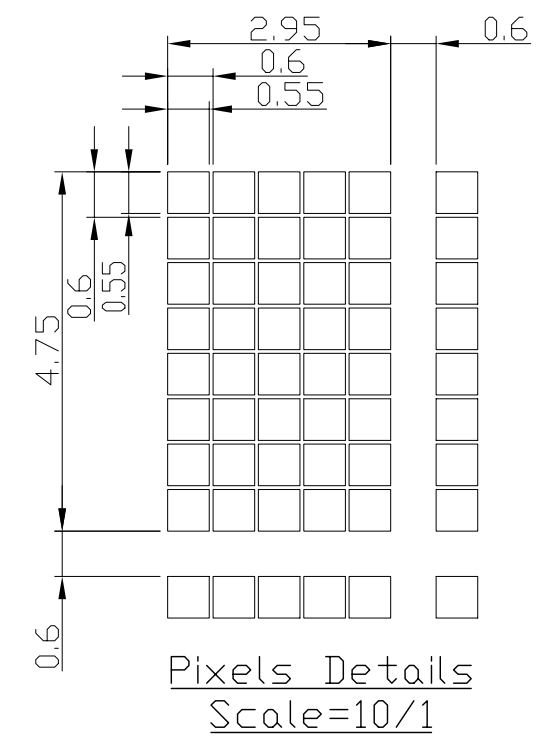
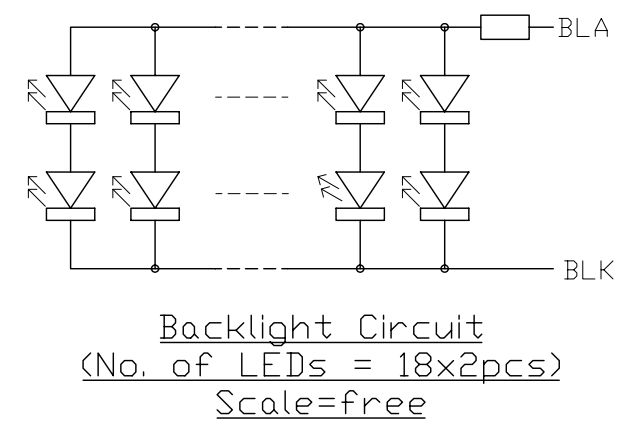


Terminal	
No.	Pin Name
1	VSS
2	VDD
3	NC
4	RS
5	R/W
6	E
7	DB0
8	DB1
9	DB2
10	DB3
11	DB4
12	DB5
13	DB6
14	DB7
15	BLA
16	BLK



- Note:
- *1. LCD Display Type : STN-YG, Positive, Transflective
 - *2. Viewing Direction : 6H
 - *3. Backlight : YG LED
 - *4. Operating Temperature : -20°C~70°C
 - *5. Storage Temperature : -30°C~80°C



C		
B		
A		
Rev	Note	Date
Dwg	Title LMB204BBC-1 Outline Dwg	
Dwg No.	MK-000596-1-1	Date 2004-09-14
Scale 2/1	Tol. ±0.5	Unit mm Paper Size A3
Approved	Checked	Drawn Li Shuai

TOPWAY